

Note: wall covering & water resistive barrier as req'd by code.

R-Control Do-All-Ply per SIP-101b

R-Control Do-All-Ply

Field installed bottom plate.

Subfloor extended to outside of wall panel. Nail to top plate with 8d box (0.113) nails at 12" o.c., staggered.

For connection information, and sealant, see wall above.

R-Control SIP wall.

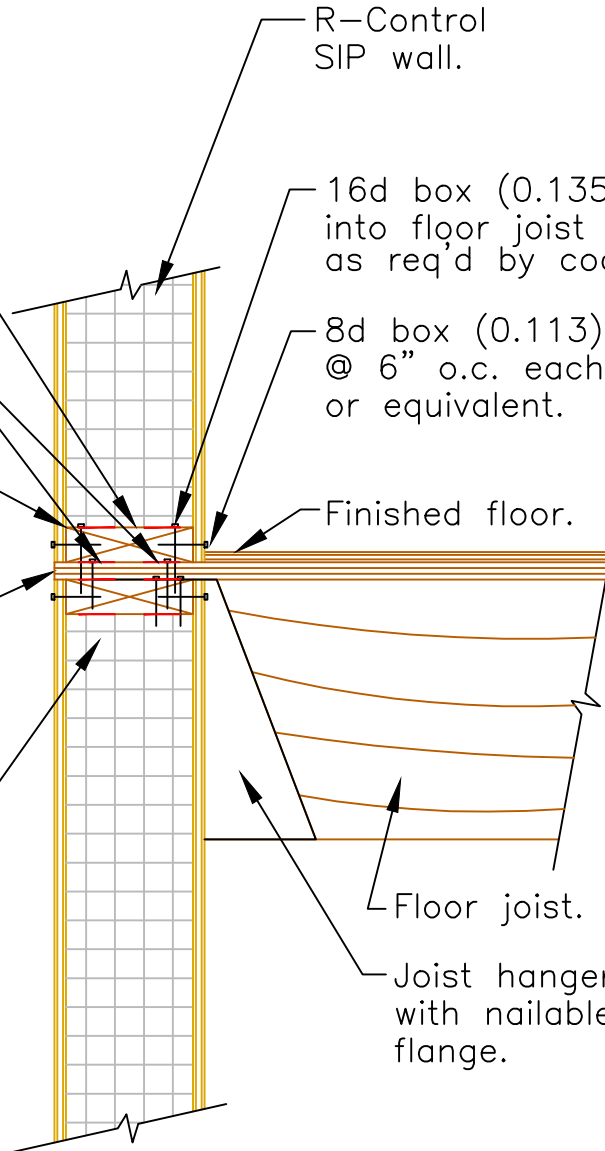
16d box (0.135) nails into floor joist as req'd by code.

8d box (0.113) nails @ 6" o.c. each side or equivalent.

Finished floor.

Floor joist.

Joist hanger with nailable top flange.



Note:
Cap plate (optional)
where required for
point loads (not shown).

SECTION

Scale: NTS

Updated 6-15-20

R-Control® SIP

TITLE: Floor Joist Hanger
and SIP Wall

NO.
SIP-109c