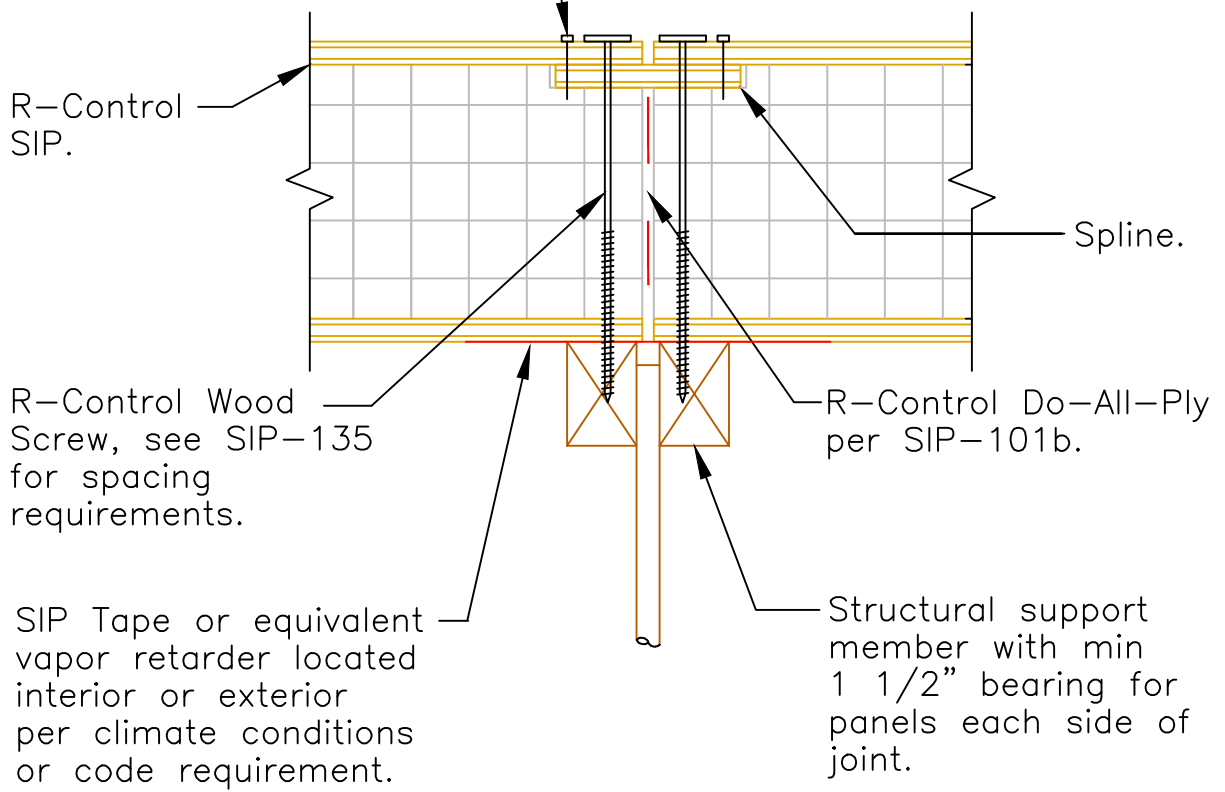


Note: roof covering & underlayment as req'd by code.

Note: Spline to be of material conforming to DOC PS2, min thickness 7/16".

8d box (0.113) nails @ 3" o.c. both sides of panel joint or equivalent. Top side of panel only.



## SECTION

Scale: NTS

Updated 6-15-20

R-Control® SIP

TITLE:  
Surface Spline (Top) @ Truss

NO.  
SIP-133c